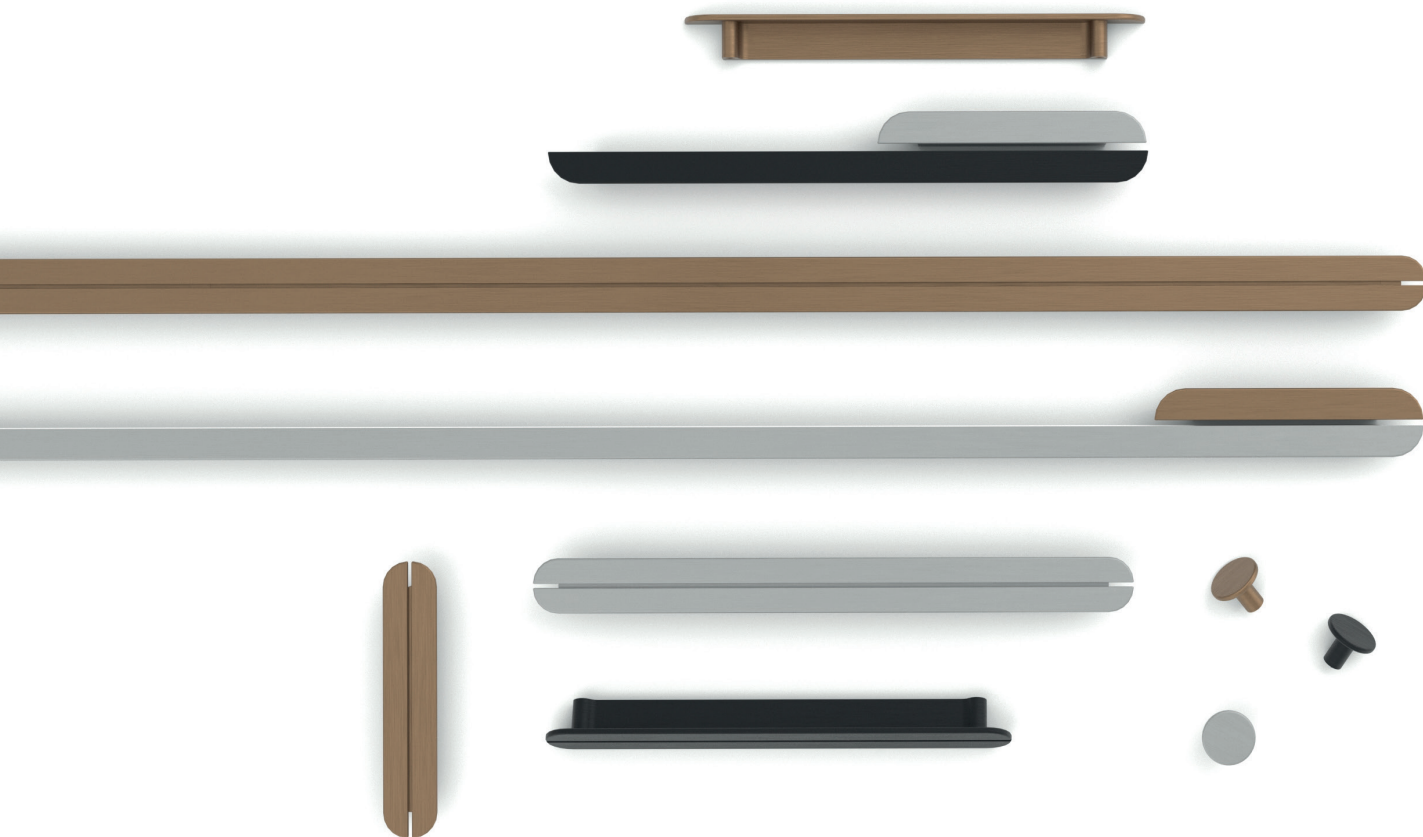


875-875M

ALUMINIUM

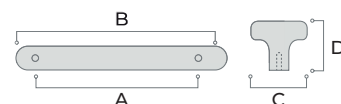
TIRADOR JEWEL
HANDLE JEWEL

sc herrajes®



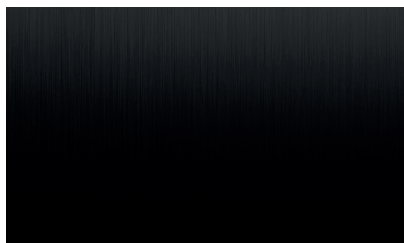
MEDIDAS / SIZES

| | A | B | C | D | Peso / Weith |
|-----------|---------|------|----|----|--------------|
| 875.26 | - | 26 | 26 | 20 | 7 |
| 875.160 | 160 | 194 | 26 | 20 | 47 |
| 875.256 | 256 | 290 | 26 | 20 | 70 |
| 875.320 | 320 | 354 | 26 | 20 | 85 |
| 875.1200 | 576+576 | 1186 | 26 | 20 | 290 |
| 875M.160 | 160 | 194 | 26 | 20 | 32 |
| 875M.256 | 256 | 290 | 26 | 20 | 48 |
| 875M.320 | 320 | 354 | 26 | 20 | 60 |
| 875M.1200 | 576+576 | 1186 | 26 | 20 | 200 |



ACABADOS / FINISHES

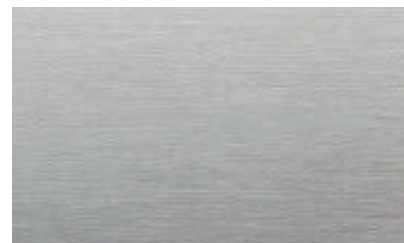
09 Negro andz. satinado
Andz. brushed black



19 Bronce andz. satinado
Andz. brushed bronze



57 Efecto inox
Inox effect



ALUMINIUM

REFERENCIA / REFERENCES

| | | | Embalaje Packing |
|--------------|--|---|---------------------|
| 875.26.09 | Pomo Jewel 26 mm - Negro andz. sat. | Jewel 26 mm knob - Andz. brushed black | 30 / 120 |
| 875.26.19 | Pomo Jewel 26 mm - Bronce andz. sat. | Jewel 26 mm knob - Andz. brshed. bronze | 30 / 120 |
| 875.26.57 | Pomo Jewel 26 mm - Efecto inox | Jewel 26 mm knob - Inox effect | 30 / 120 |
| 875.160.09 | Tirador Jewel 160 mm - Negro andz. sat. | Jewel 160 mm handle - Andz. br. black | 20 / 80 |
| 875.160.19 | Tirador Jewel 160 mm - Bronce anz. sat. | Jewel 160 mm handle - Andz. br. bronze | 20 / 80 |
| 875.160.57 | Tirador Jewel 160 mm - Efecto inox | Jewel 160 mm handle - Inox effect | 20 / 80 |
| 875M.160.09 | Medio tirador Jewel 160 mm - Negro | Jewel 160 mm half handle - Black | 20 / 80 |
| 875M.160.19 | Medio tirador Jewel 160 mm - Bronce | Jewel 160 mm half handle - Bronze | 20 / 80 |
| 875.160.57 | Medio tirador Jewel 160 mm - Inox | Jewel 160 mm half handle - Inox | 20 / 80 |
| 875.256.09 | Tirador Jewel 256 mm - Negro andz. sat. | Jewel 256 mm handle - Andz. br. black | 20 / 80 |
| 875.256.19 | Tirador Jewel 256 mm - Bronce az. st. | Jewel 256 mm handle - Andz. br. bronze | 20 / 80 |
| 875.256.57 | Tirador Jewel 256 mm - Efecto inox | Jewel 256 mm handle - Inox effect | 20 / 80 |
| 875M.256.09 | Medio tirador Jewel 256 mm - Negro | Jewel 160 mm half handle - Black | 20 / 80 |
| 875M.256.19 | Medio tirador Jewel 256 mm - Bronce | Jewel 160 mm half handle - Bronze | 20 / 80 |
| 875.256.57 | Medio tirador Jewel 256 mm - Inox | Jewel 160 mm half handle - Inox | 20 / 80 |
| 875.320.09 | Tirador Jewel 320 mm - Negro andz. sat. | Jewel 320 mm handle - Andz. br. black | 20 / 80 |
| 875.320.19 | Tirador Jewel 320 mm - Bronce az. st. | Jewel 320 mm handle - Andz. br. bronze | 20 / 80 |
| 875.320.57 | Tirador Jewel 320 mm - Efecto inox | Jewel 320 mm handle - Inox effect | 20 / 80 |
| 875M.320.09 | Medio tirador Jewel 320 mm - Negro | Jewel 320 mm half handle - Black | 20 / 80 |
| 875M.320.19 | Medio tirador Jewel 320 mm - Bronce | Jewel 320 mm half handle - Bronze | 20 / 80 |
| 875.320.57 | Medio tirador Jewel 320 mm - Inox | Jewel 320 mm half handle - Inox | 20 / 80 |
| 875.1200.09 | Tirador Jewel 1200 mm - Negro az. st. | Jewel 1200 mm handle - Andz. br. black | 20 / 40 |
| 875.1200.19 | Tirador Jewel 1200 mm - Bronce az. st. | Jewel 1200 mm handle - Andz. br. bronze | 20 / 40 |
| 875.1200.57 | Tirador Jewel 1200 mm - Efecto inox | Jewel 1200 mm handle - Inox effect | 20 / 40 |
| 875M.1200.09 | Medio tirador Jewel 1200 mm - Negro | Jewel 1200 mm half handle - Black | 20 / 40 |
| 875M.1200.19 | Medio tirador Jewel 1200 mm - Bronce | Jewel 1200 mm half handle - Bronze | 20 / 40 |
| 875.1200.57 | Medio tirador Jewel 1200 mm - Inox | Jewel 1200 mm half handle - Inox | 20 / 40 |

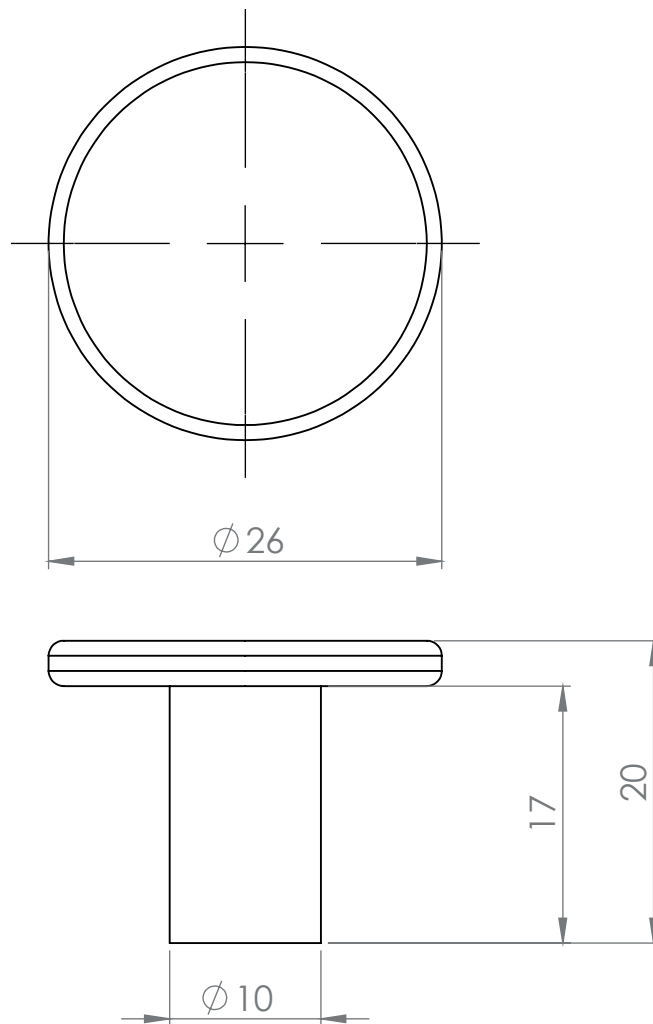
875

POMO JEWEL
JEWEL KNOB

ALUMINIUM

PLANOS / TECHNICAL DRAWINGS

sc herrajes®



*Medidas en mm
*Measures in mm

DISEÑO / DESIGN

NOMBRE / NAME

ESCALA / SCALE 2:1

sc herrajes®

875.26



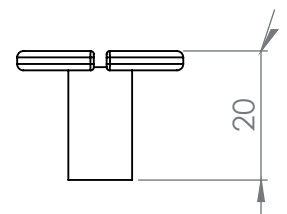
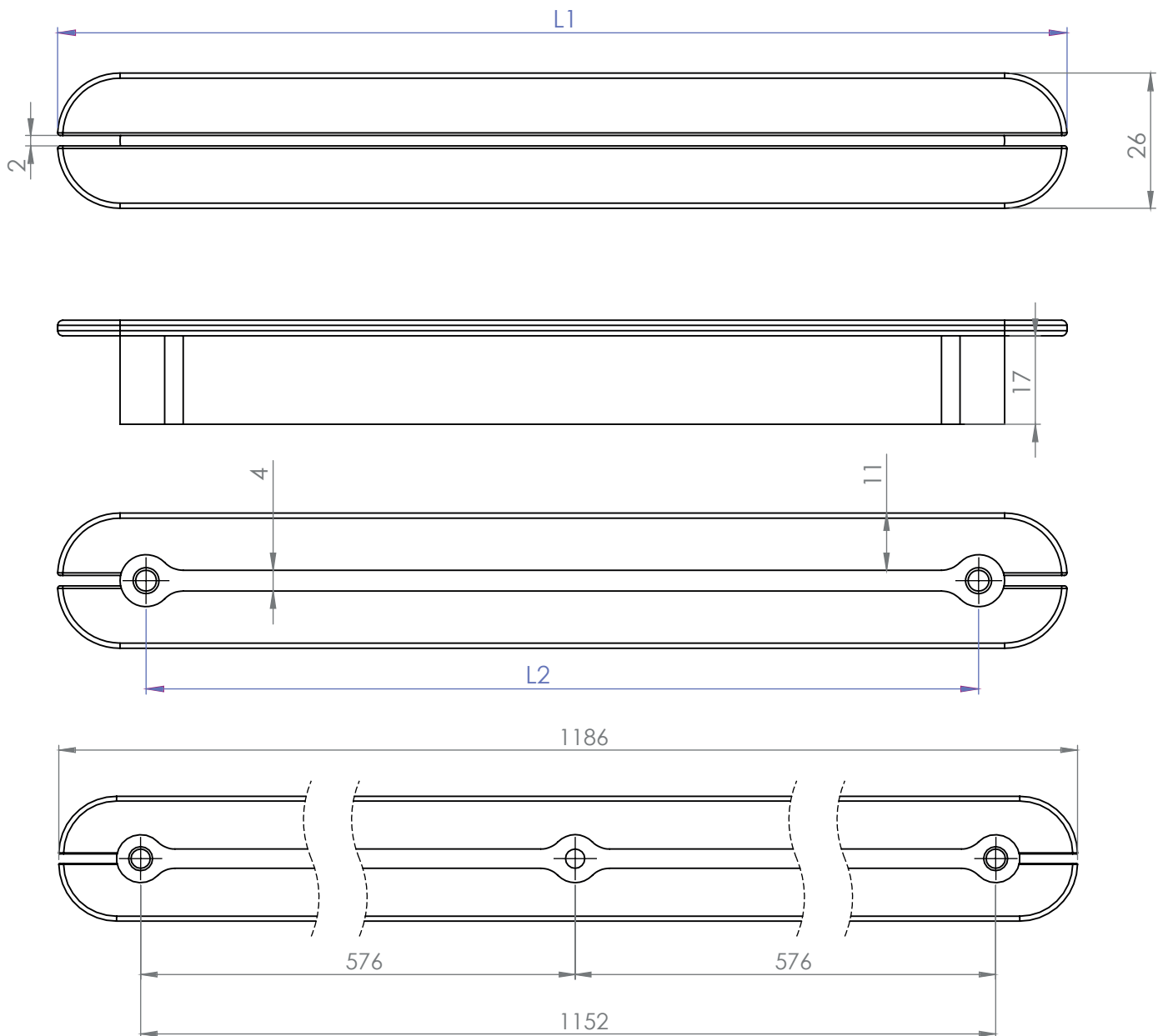
875

TIRADOR JEWEL
JEWEL HANDLE

sc herrajes®

ALUMINIUM

PLANOS / TECHNICAL DRAWINGS



| REF | L1 | L2 | LEGS |
|----------|------|-----|------|
| 875.160 | 194 | 160 | 2 |
| 875.256 | 290 | 256 | 2 |
| 875.320 | 354 | 320 | 2 |
| 875.1200 | 1186 | 576 | 3 |

DISEÑO / DESIGN

NOMBRE / NAME

sc herrajes®

875.xx

*Medidas en mm
*Measures in mm

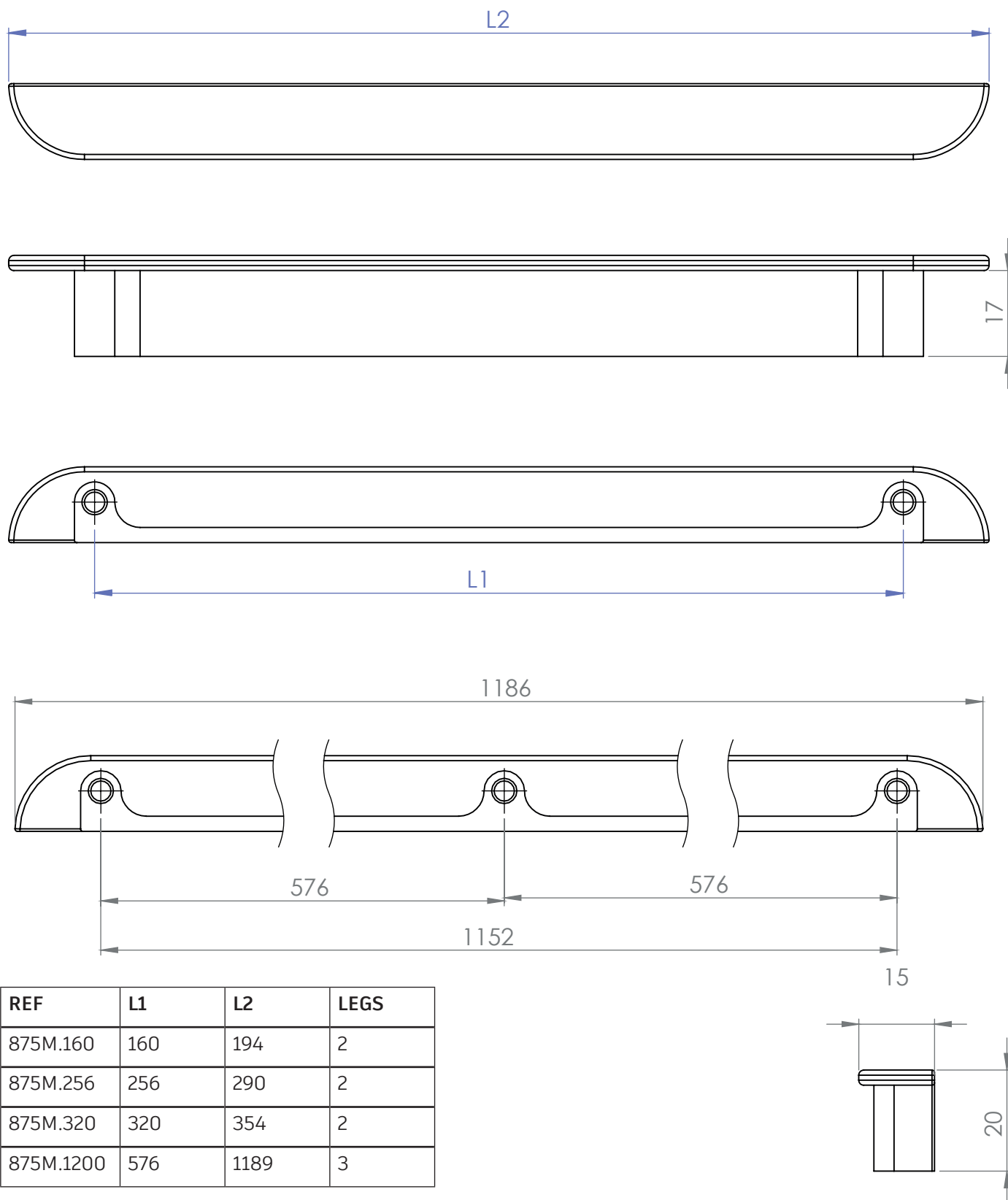
875M TIRADOR MEDIO JEWEL

JEWEL HALF HANDLE

sc herrajes®

ALUMINIUM

PLANOS / TECHNICAL DRAWINGS



| REF | L1 | L2 | LEGS |
|-----------|-----|------|------|
| 875M.160 | 160 | 194 | 2 |
| 875M.256 | 256 | 290 | 2 |
| 875M.320 | 320 | 354 | 2 |
| 875M.1200 | 576 | 1189 | 3 |

DISEÑO / DESIGN

NOMBRE / NAME

sc herrajes® **875M.xx**

*Medidas en mm
*Measures in mm