

# 856 TIRADORES / HANDLES

## ESSENTIALS

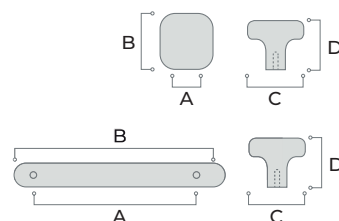
sc herrajes®

ZAMAK



### MEDIDAS / SIZES

|         | A   | B   | C  | D  |
|---------|-----|-----|----|----|
| 856.035 | --  | 55  | 14 | 34 |
| 856.160 | 160 | 186 | 14 | 34 |
| 856.320 | 320 | 186 | 14 | 34 |



### ACABADOS / FINISHES

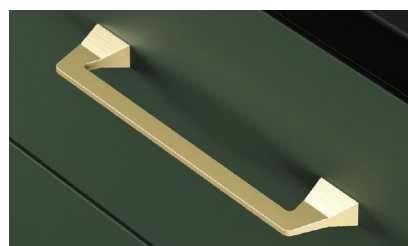
**05** Plata vieja  
*Antique silver*



**08** Lacado negro  
*Black lacquered*



**18** Oro satinado  
*Satin gold*



**20** Bronce PVD  
*PVD bronze*



### REFERENCIA / REFERENCES

| REFERENCIA | REFERENCES  | Embalaje<br><i>Packing</i> |
|------------|---|----------------------------|
| 856.055.05 | Pomo 55 mm plata vieja<br><i>Knob 55 mm antique silver</i>        | 40 / 160                   |
| 856.055.08 | Pomo 55 mm negro<br><i>Knob 55 mm black</i>                       | 40 / 160                   |
| 856.055.18 | Pomo 55 mm oro<br><i>Knob 55mm gold</i>                           | 40 / 160                   |
| 856.055.20 | Pomo 55 mm bronce PVD<br><i>Knob 55 mm PVD bronze</i>             | 40 / 160                   |
| 856.160.05 | Tirador 160 mm plata vieja<br><i>Handle 160 mm antique silver</i> | 25 / 75                    |
| 856.160.08 | Tirador 160 mm negro<br><i>Handle 160 mm black</i>                | 25 / 75                    |
| 856.160.18 | Tirador 160 mm oro<br><i>Handle 160 mm gold</i>                   | 25 / 75                    |
| 856.160.20 | Tirador 160 mm bronce PVD<br><i>Handle 160 mm PVD bronze</i>      | 25 / 75                    |

# 856 TIRADORES / HANDLES ESSENTIALS

ZAMAK

sc herrajes®

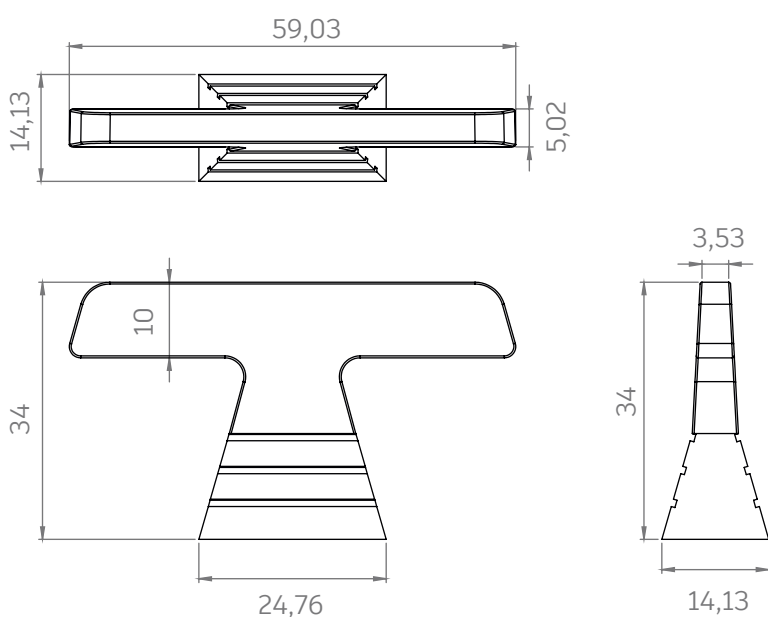
## REFERENCIA / REFERENCES

|            |                            |                              |
|------------|----------------------------|------------------------------|
| 856.320.05 | Tirador 320 mm plata vieja | Handle 320 mm antique silver |
| 856.320.08 | Tirador 320 mm negro       | Handle 320 mm black          |
| 856.320.18 | Tirador 320 mm oro         | Handle 320 mm gold           |
| 856.320.20 | Tirador 320 mm bronce PVD  | Handle 320 mm PVD bronze     |

## Embalaje Packing

25 / 75  
25 / 75  
25 / 75  
25 / 75

## PLANOS / TECHNICAL DRAWINGS



\*Medidas en mm  
\*Measures in mm

DISEÑO / DESIGN

NOMBRE / NAME

ESCALA / SCALE 1 : 1

sc herrajes®

856.035



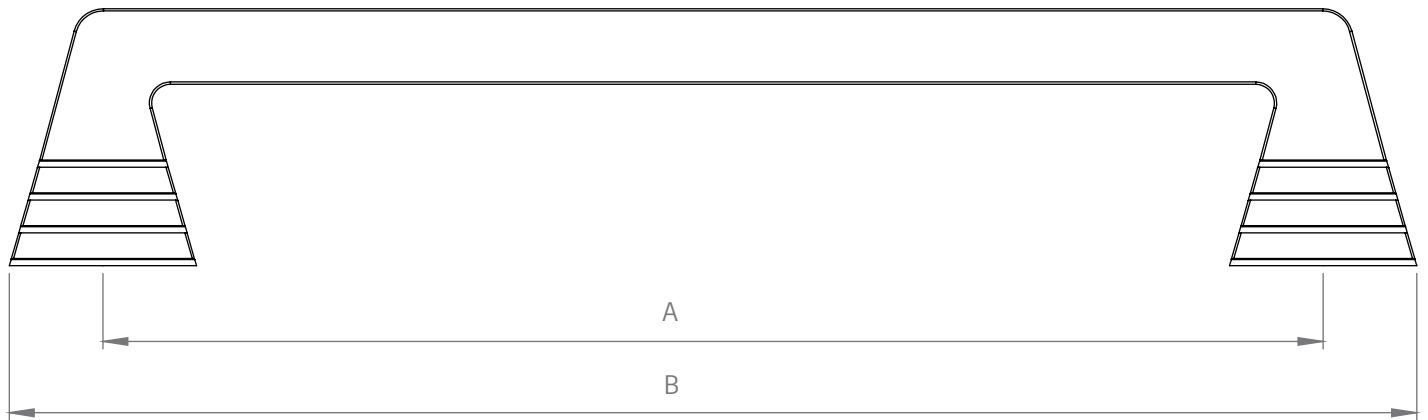
# 856 TIRADORES / HANDLES

## ESSENTIALS

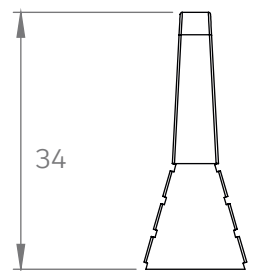
ZAMAK

sc herrajes®

### PLANOS / TECHNICAL DRAWINGS



| A   | B   |
|-----|-----|
| 160 | 186 |
| 320 | 346 |



\*Medidas en mm  
\*Measures in mm

DISEÑO / DESIGN

NOMBRE / NAME

ESCALA / SCALE 1:1

sc herrajes®

**856.160**  
**856.320**

